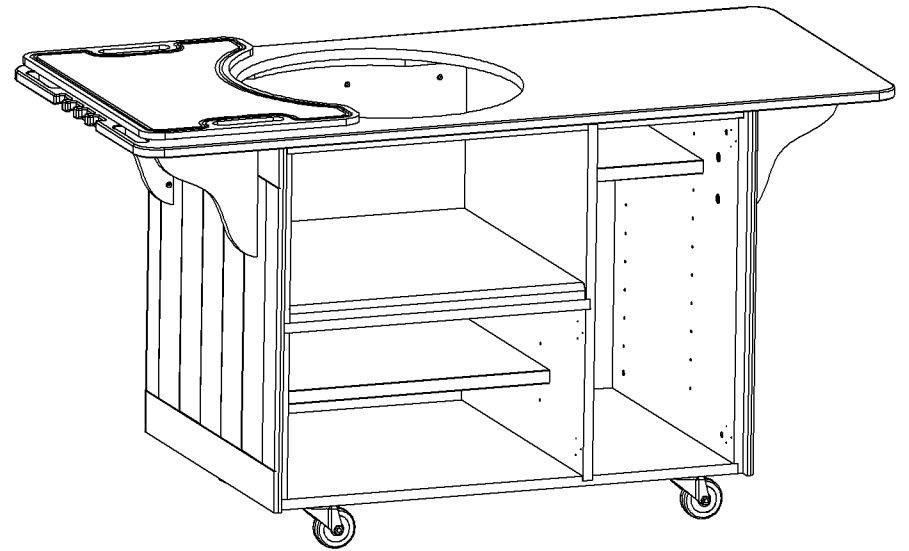
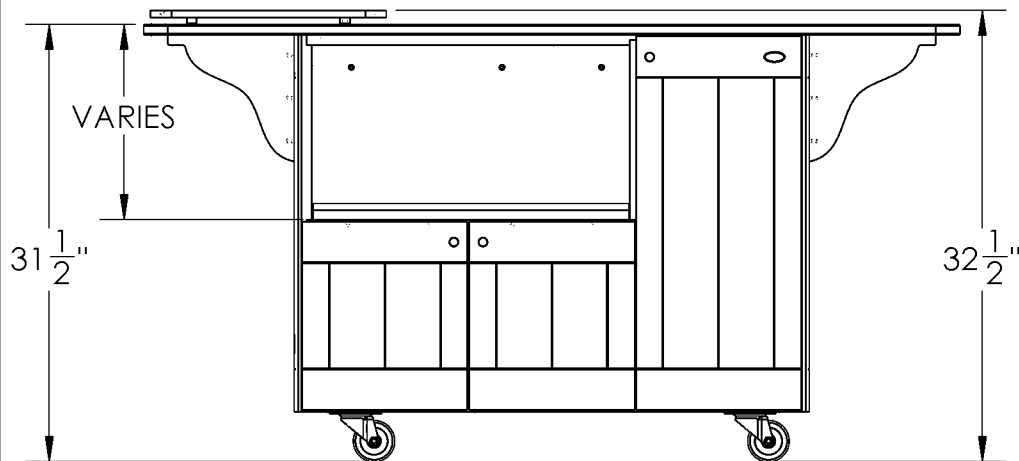


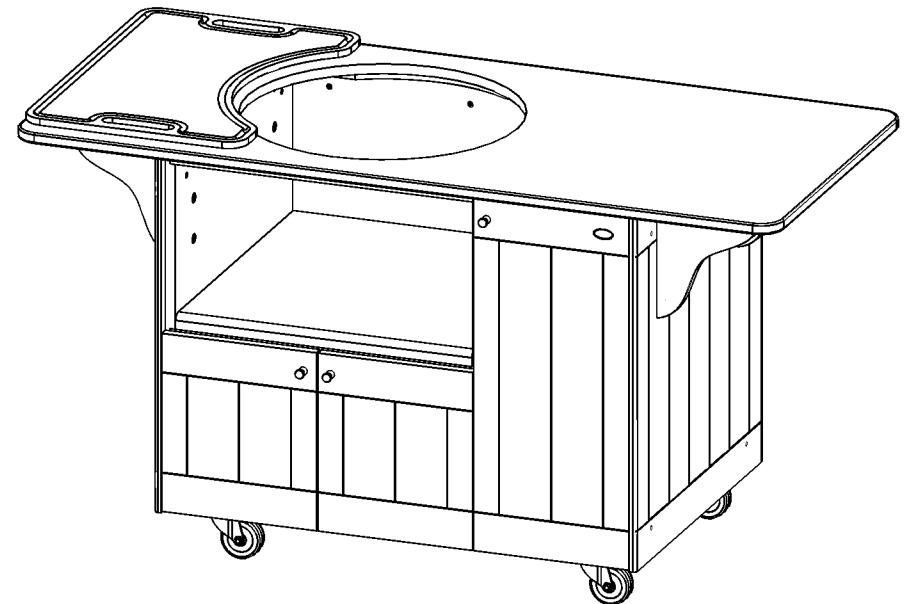
PLAN VIEW



ISO VIEW (NO DOORS SHOWN)



ELEVATION VIEW



ISO VIEW