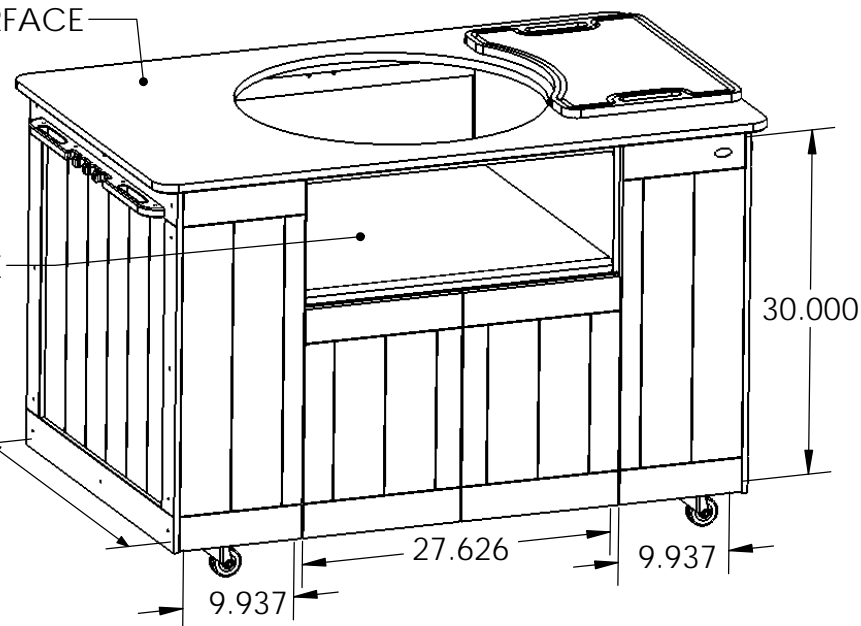


PLAN

HDPE WORKSURFACE

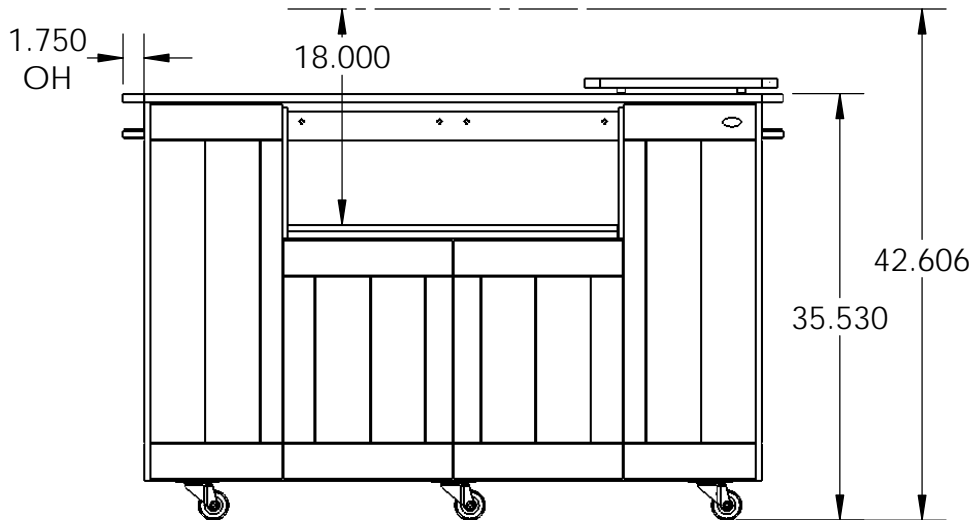
GRANITE BASE

31.240
INSIDE
DEPTH

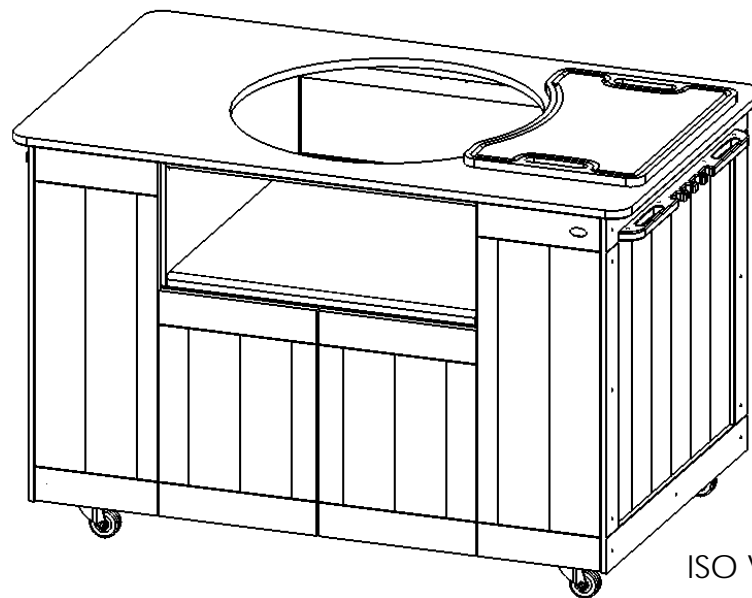


ISO VIEW (NO DOORS SHOWN)

COOKING SURFACE OF XL BIG GREEN EGG



ELEVATION



ISO VIEW

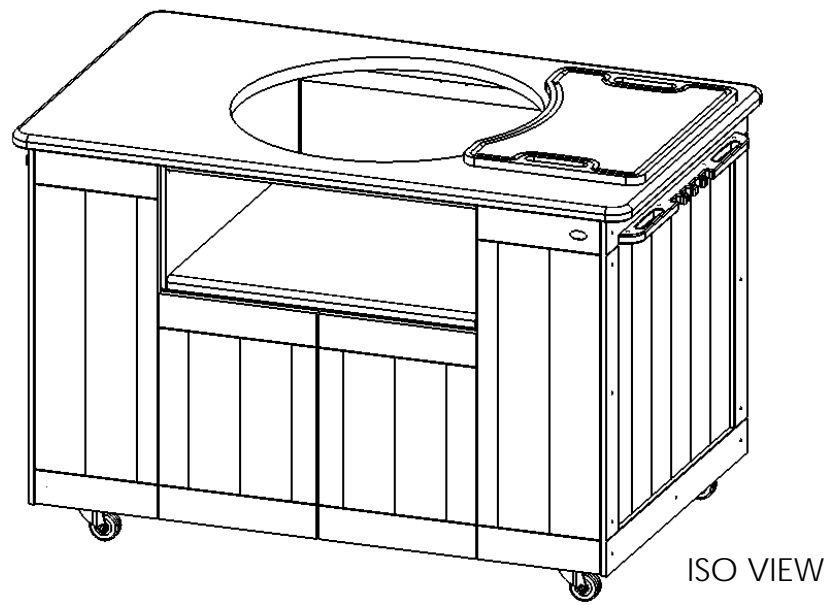
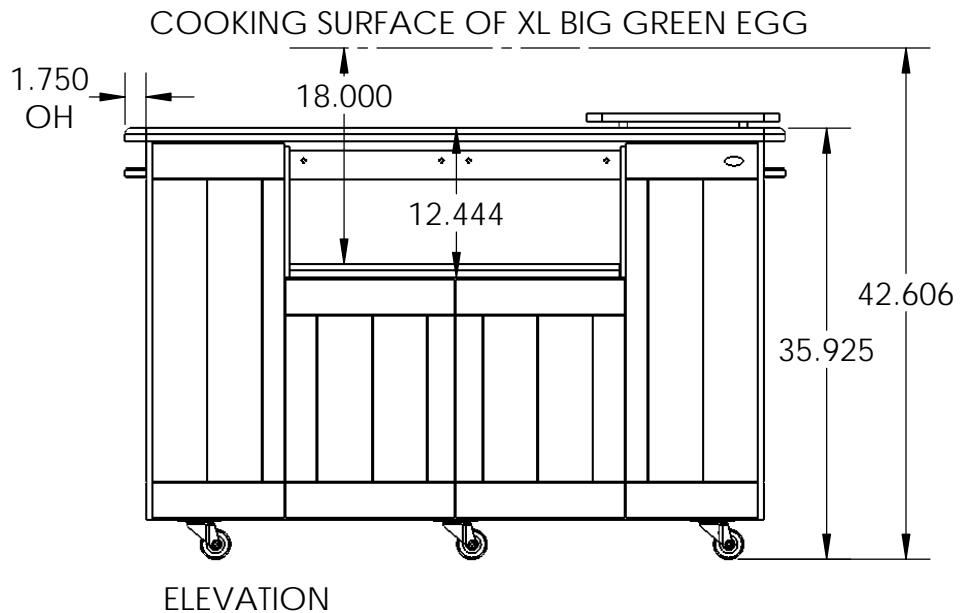
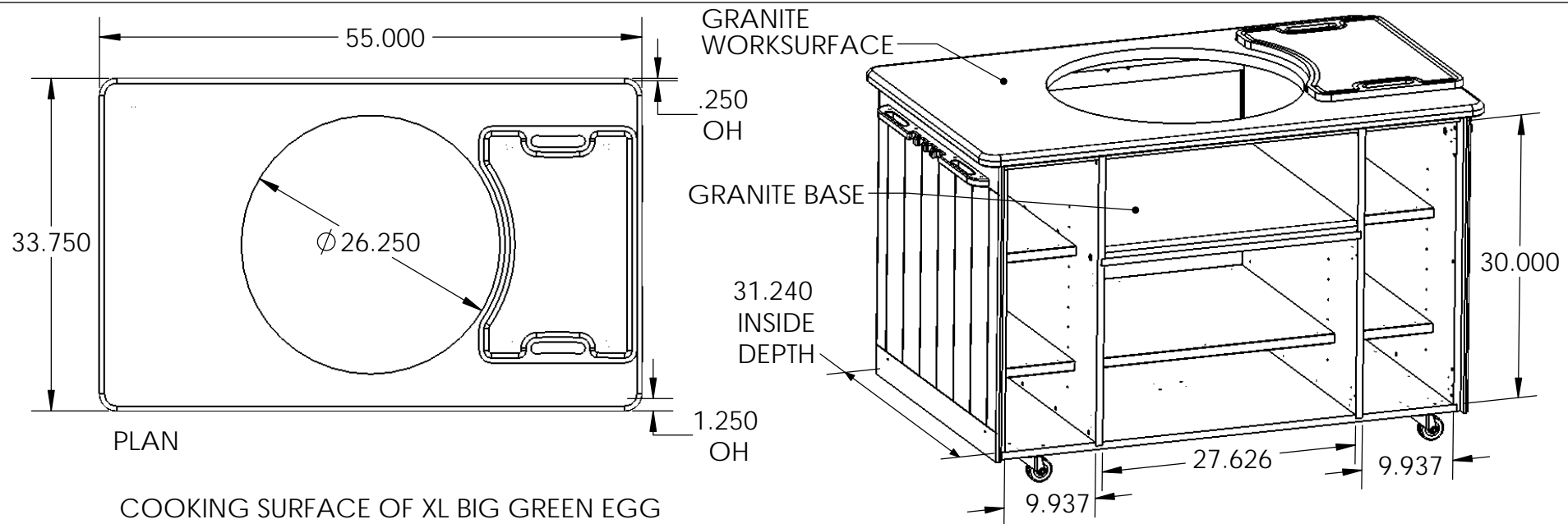
CAUTION:
DO NOT PLACE A KAMADO GRILL DIRECTLY ON THE HDPE SURFACE OR ON OR NEAR ANY COMBUSTIBLE SURFACE. FOR MAXIMUM HEAT PROTECTION, IT IS BEST THAT A 1-1/2" THICK FIRE BRICK, CONCRETE PAVER, OR A METAL TABLE NEST BE USED TO SUPPORT THE KAMADO GRILL AND ALSO TO ALLOW AN AIR GAP BELOW THE GRILL.

** FIRE BRICK, CONCRETE PAVER, OR METAL TABLE NEST ARE NOT SUPPLIED WITH CART.

Desavino & Son's
1003 Underwood Rd.
Olyphant, PA 18447
Phone: (888) 889-2314
Phone: (570) 383-3988
Fax: (570) 383-4980

DRAWN	NAME	DATE
	LI	10/10/14

TITLE: XL Big Green Egg Kamado Grill Cart with HDPE Worksurface.			
SCALE: 1:16	REV N/A	SIZE A	SHEET 1



CAUTION:
DO NOT PLACE A KAMADO GRILL DIRECTLY ON THE HDPE SURFACE OR ON OR NEAR ANY COMBUSTIBLE SURFACE. FOR MAXIMUM HEAT PROTECTION, IT IS BEST THAT A 1-1/2" THICK FIRE BRICK, CONCRETE PAVER, OR A METAL TABLE NEST BE USED TO SUPPORT THE KAMADO GRILL AND ALSO TO ALLOW AN AIR GAP BELOW THE GRILL.

** FIRE BRICK, CONCRETE PAVER, OR METAL TABLE NEST ARE NOT SUPPLIED WITH CART.

Desavino & Son's
1003 Underwood Rd.
Olyphant, PA 18447
Phone: (888) 889-2314
Phone: (570) 383-3988
Fax: (570) 383-4980

DRAWN	NAME	DATE
	LI	10/10/14

TITLE: XL Big Green Egg Kamado Grill Cart with Granite Worksurface			
SCALE: 1:16	REV N/A	SIZE A	SHEET 1