

# 2017

# *Product Catalog*

REVA (4/25/17)



1003 Underwood Road | Olyphant, PA 18447

P: 888-889-2314 | F: 570-383-6825

[www.openaircabinetry.com](http://www.openaircabinetry.com)



# Indoor & OutDoor Cabinetry

## Product Specifications

### High Density Polyethylene (HDPE) - SPECIFIER BENEFITS

- Made from recycled materials
- 100% recyclable
- Contains 25%-75% post-industrial content
- No painting means no VOC emissions
- Improved air quality
- Factory responsible recycling
- Contribute points to LEED certification
- Superior UV Stabilization
- Resists mold, mildew, fungus and bacteria
- Maintenance Free
- Excellent Corrosion Resistance
- Will not Delaminate or Swell
- FDA & USDA approved for food contact
- Solid Core Color

### AVAILABLE COLORS

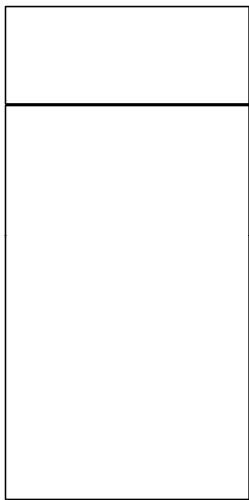


Colors may vary slightly from product sample.

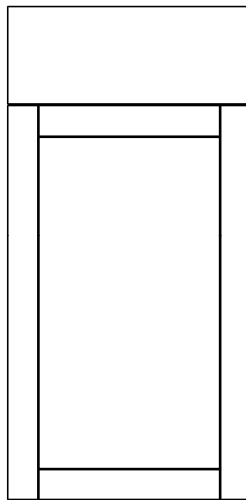
\* Chestnut and Moss Grey may have extended lead times. Call for availability.

## Standard Door Styles

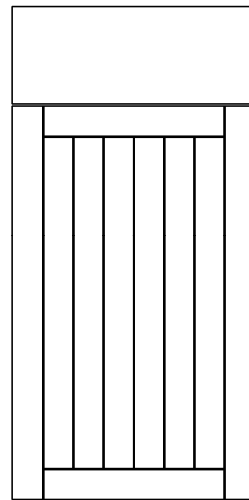
- These doors are designed using a solid 3/4" thick door.



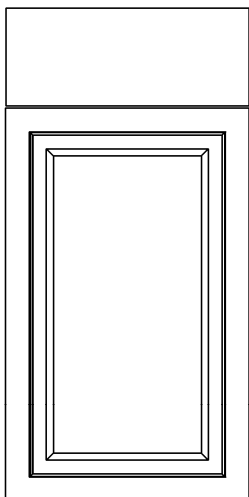
SIMPLE



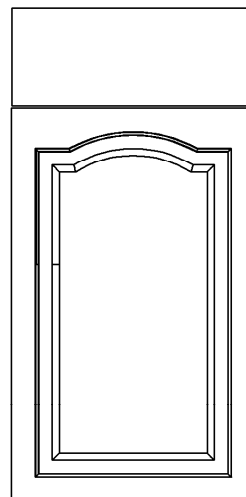
SANIBEL SHAKER



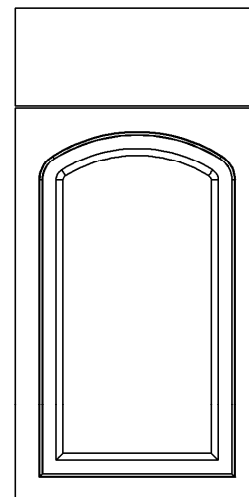
CAPTIVA SHAKER



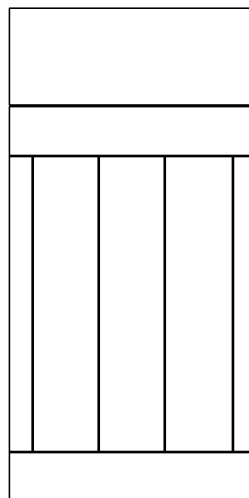
RIVIERA MAYA



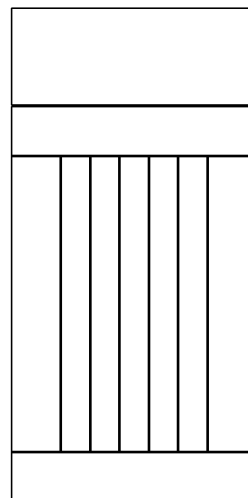
SAN FRANCISCO



COZUMEL



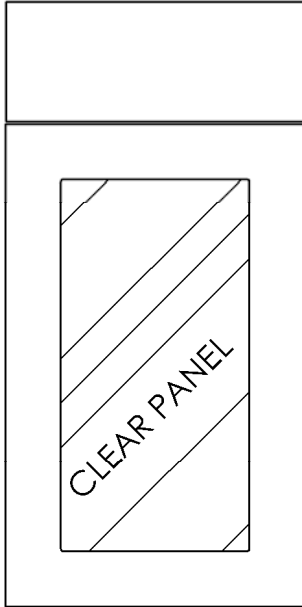
COUNTRY LIVING



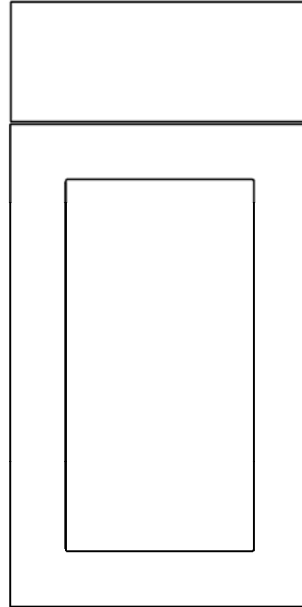
CAPE COD

## Premium Door Styles

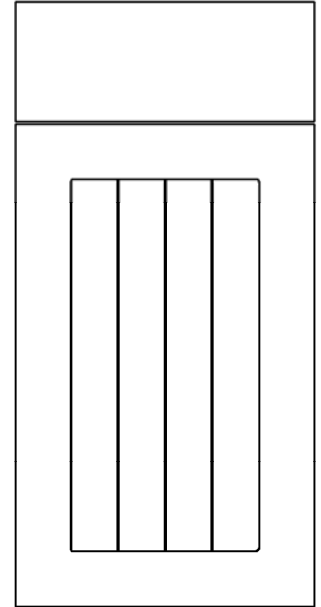
- These doors are designed using a solid 3/4" thick door with a 1/2" Inset Center Panel.



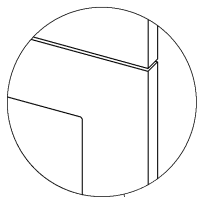
CLEARWATER



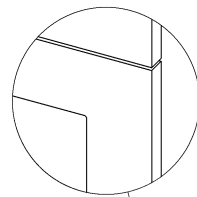
SPRINGFIELD



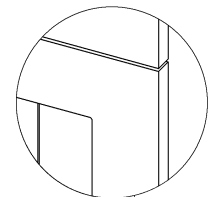
BRIDGEWATER



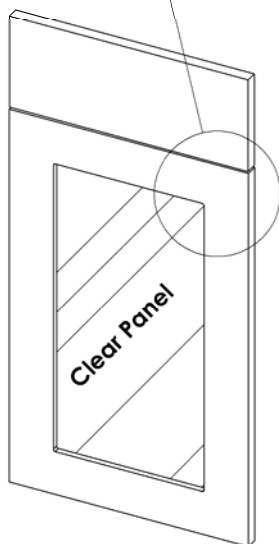
Detail View



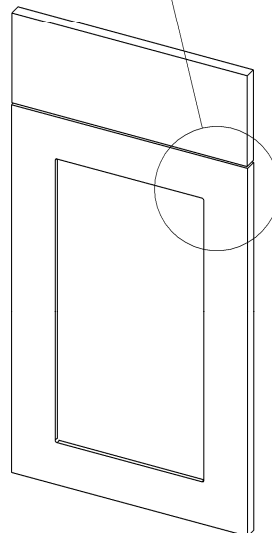
Detail View



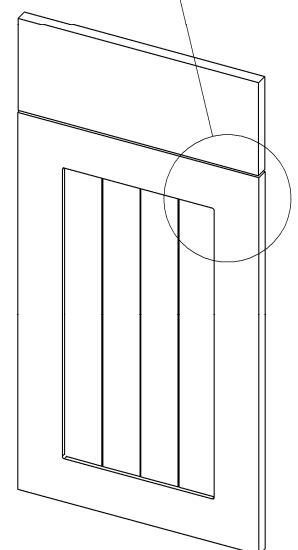
Detail View



Isometric View

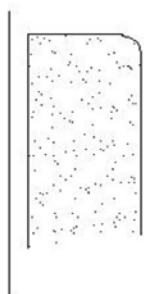


Isometric View

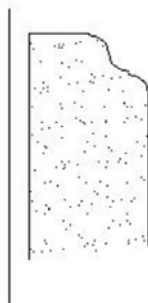


Isometric View

## Edge Profiles



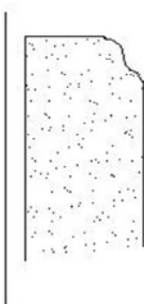
$\frac{1}{8}$ " Roundover



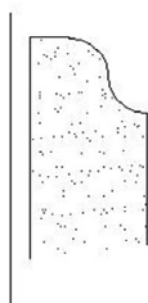
Wavy



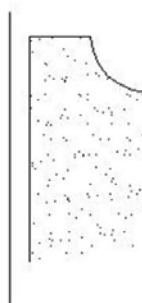
Square



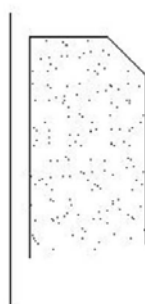
Small Ogee



Large Ogee



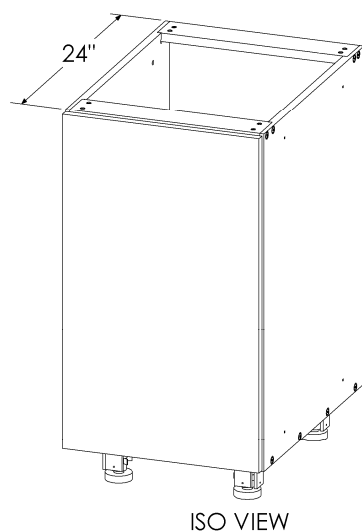
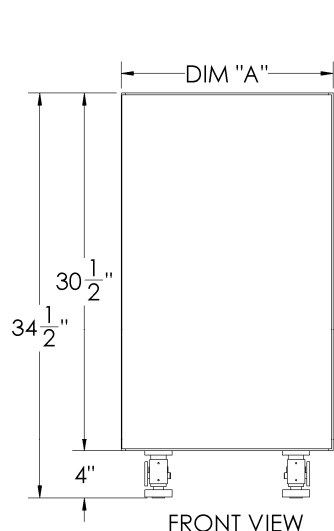
$\frac{3}{8}$ " Cove



$\frac{1}{4}$ " Chamfer

Choose from a large selection of edge profiles. Each edge compliments the door or drawers and adds a unique appearance to your outdoor cabinets.

## Base Cabinet with Full Height Single Door (L or R)



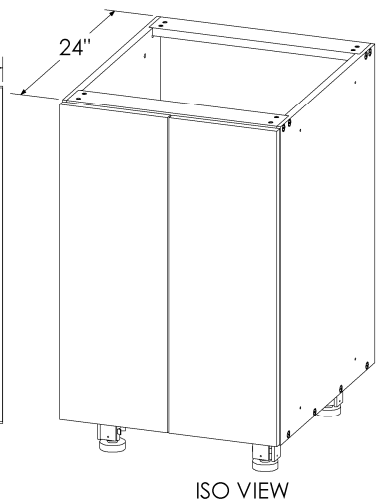
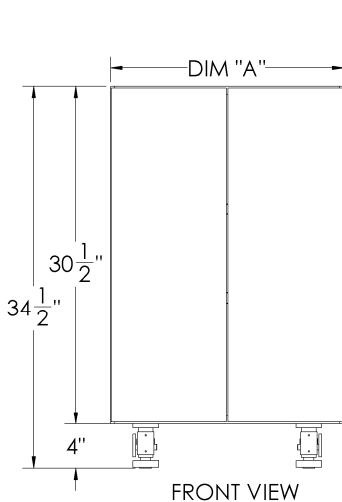
- On all single door cabinets specify left or right hinge.
- 3/4" thick finished end panels are available.
- Comes with (2) Shelves
- Cabinets are 24" in Depth which is to cabinet face without the door. The door plus the spacer will add about 7/8" to the overall depth.

Model Shown: **BFH18R**

BFH      18      R  
Base Cabinet    Width    Right Hinge

Model #	Width
BFH9L	9
BFH9R	9
BFH12L	12
BFH12R	12
BFH15L	15
BFH15R	15
BFH18L	18
BFH18R	18
BFH21L	21
BFH21R	21

## Base Cabinet with Full Height Center Closing Double Door



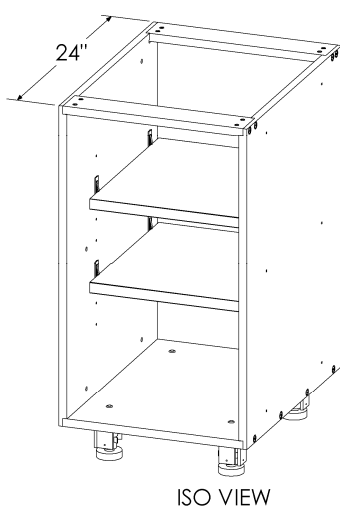
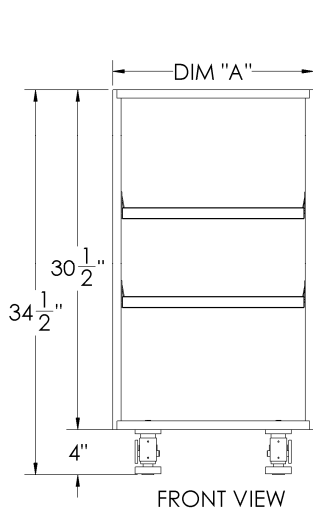
- 3/4" thick finished end panels are available.
- Comes with (2) Shelves
- 24" Depth is to cabinet face without the door. The door plus the spacer will add about 7/8" to the overall depth.

Model Shown: **B21C**

BFH      24      B  
Base Cabinet    Width    Center Closing

Model #	Width
BFH24B	24
BFH27B	27
BFH30B	30
BFH33B	33
BFH36B	36

## Open Shelf Base Cabinet (No Doors)



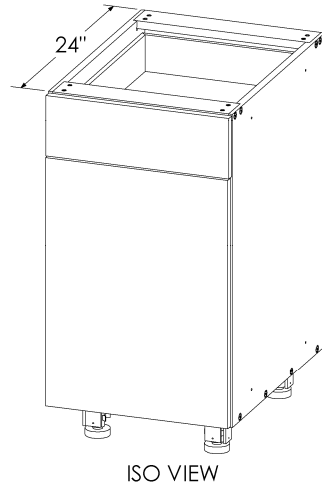
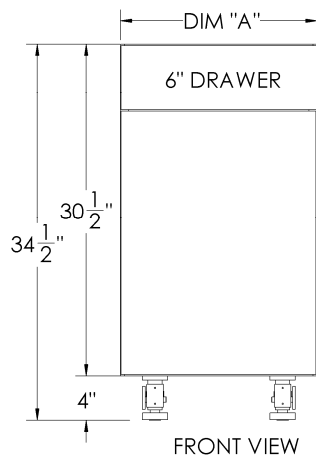
- 3/4" thick finished end panels are available.
- Comes with (2) Shelves
- 24" Depth is to cabinet face.

Model Shown: **BO18**

BO      18  
Open Base      Width

Model #	Width
BO12	12
BO15	15
BO18	18
BO21	21
BO24	24
BO27	27
BO30	30

## Base Cabinet with One Drawer and One Door (L or R)

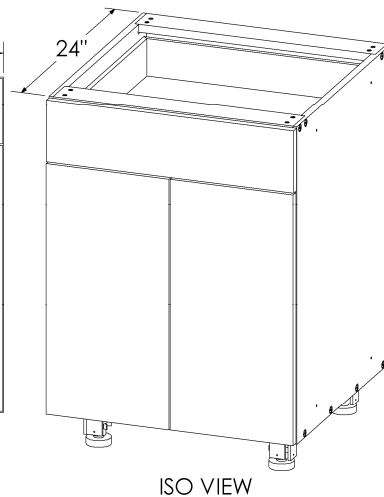
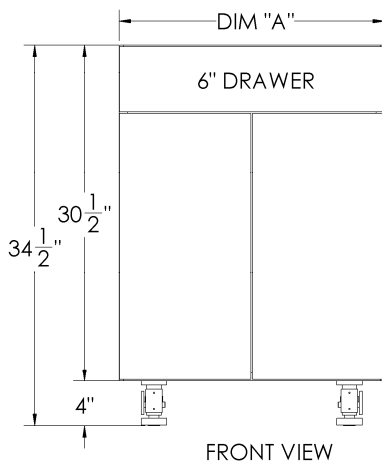


- Comes with either (2) Shelves or (2) Pullouts
- On all single door cabinets specify left or right hinge.
- 3/4" thick finished end panels are available.
- 24" Depth is to cabinet face without the door. The door plus the spacer will add about 7/8" to the overall depth.

Model Shown: B18L  
 B Base Cabinet    18 Width    L Left Hinge

Model # w/Shelves	Model # w/Pullouts	Dim "A"
B9L	B9L-PU	9
B9R	B9R-PU	9
B12L	B12L-PU	12
B12R	B12R-PU	12
B15L	B15L-PU	15
B15R	B15R-PU	15
B18L	B18L-PU	18
B18R	B18R-PU	18
B21L	B21L-PU	21
B21R	B21R-PU	21

## Base Cabinet with One Drawer and Center Closing Doors

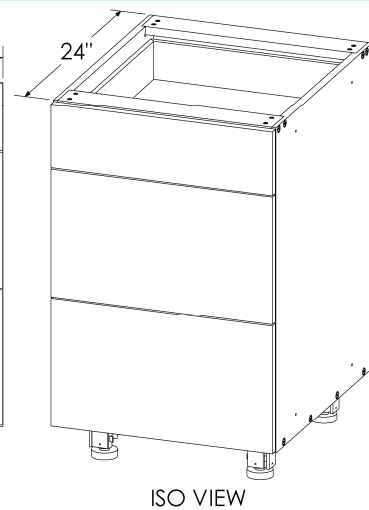
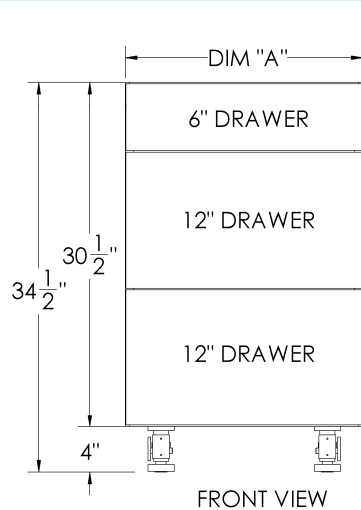


- Comes with either (2) Shelves or (2) Pullouts
- 3/4" thick finished end panels are available.
- 24" Depth is to cabinet face without the door. The door plus the spacer will add about 7/8" to the overall depth.

Model Shown: B24B  
 B Base Cabinet    24 Width    B Ctr Closing

Model # w/Shelves	Model # w/Pullouts	Dim "A"
B24B	B24B-PU	24
B27B	B27B-PU	27
B30B	B30B-PU	30
B33B	B33B-PU	33
B36B	B36B-PU	36

## Drawer Base Cabinet with Three Drawers

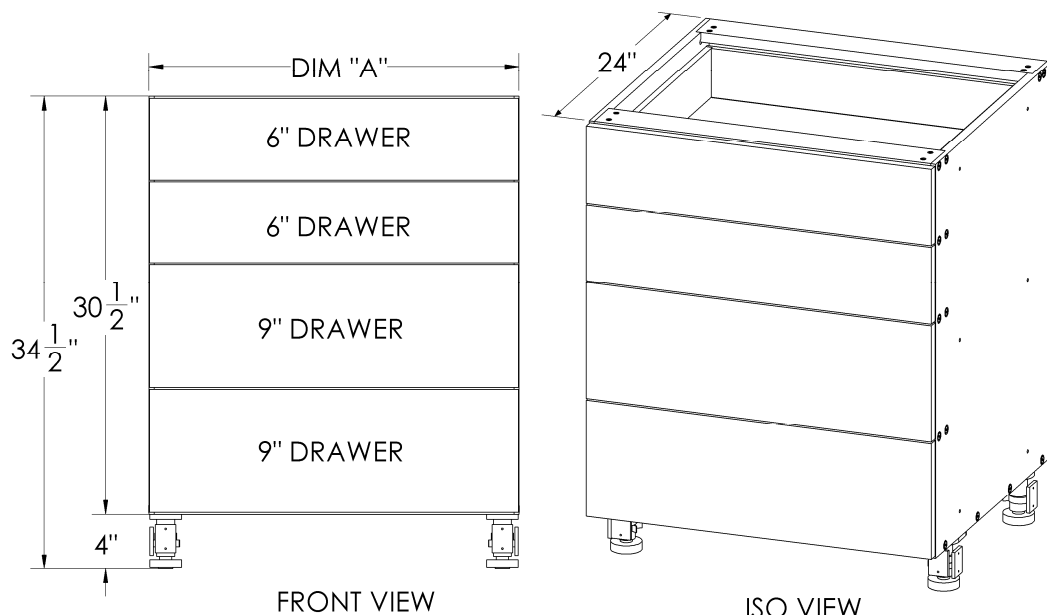


- 3/4" thick finished end panels are available.
- 24" Depth is to cabinet face. The drawer will add about 7/8" to the overall depth.

Model Shown: DB21-3  
 DB Drawer Base    21 Width    3 Drawers

Model #	Dim "A"
DB12-3	12
DB15-3	15
DB18-3	18
DB21-3	21
DB24-3	24
DB27-3	27
DB30-3	30

## Drawer Base Cabinet with Four Drawers



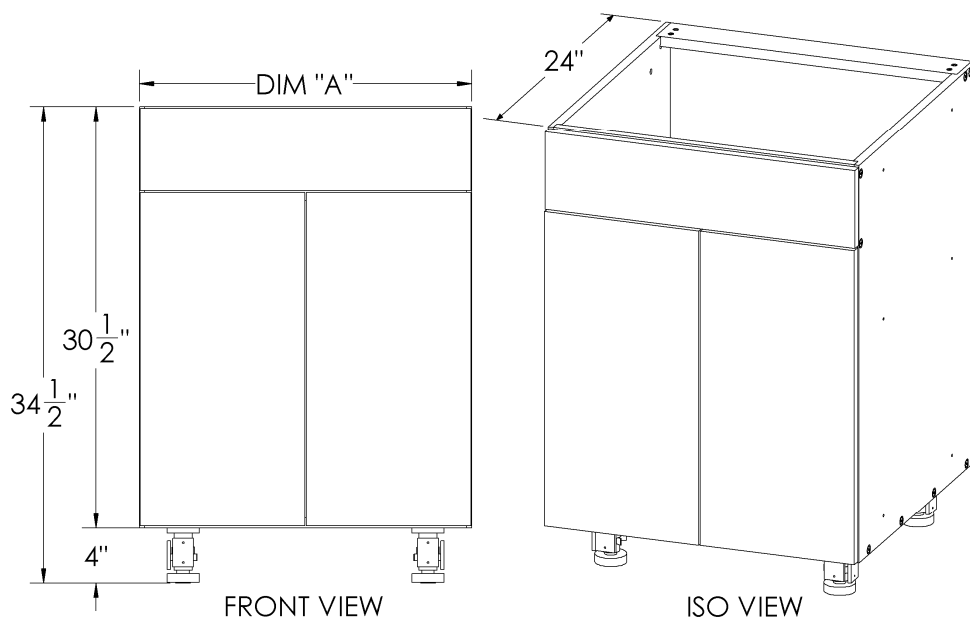
Model Shown: DB27-4

DB      27      4  
 Drawer Base    Width    4 Drawers

- 3/4" thick finished end panels are available.
- 24" Depth is to cabinet face. The drawer will add about 7/8" to the overall depth.

Model #	Dim A"
DB12-4	12
DB15-4	15
DB18-4	18
DB21-4	21
DB24-4	24
DB27-4	27
DB30-4	30

## Sink Cabinet



Model Shown: SB24B

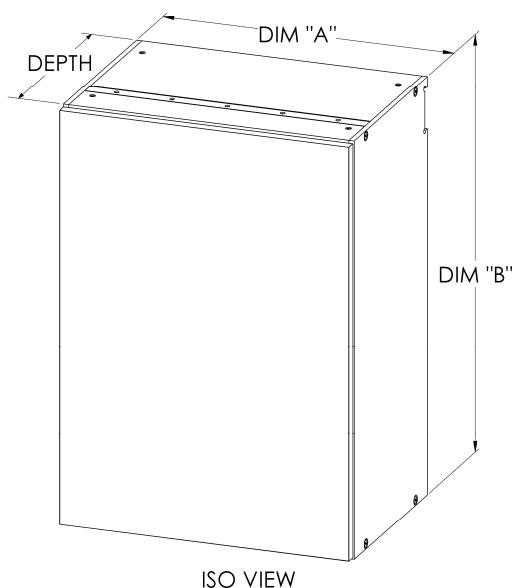
SB      24      B  
 Sink Base    Width    Center Closing

- 3/4" thick finished end panels are available.
- 24" Depth is to cabinet face. The door will add about 7/8" to the overall depth.

Model #	Dim A"
SB18L	18
SB18R	18
SB21L	21
SB21R	21
SB24B	24
SB27B	27
SB30B	30
SB33B	33
SB36B	36



## Wall Cabinets with Doors



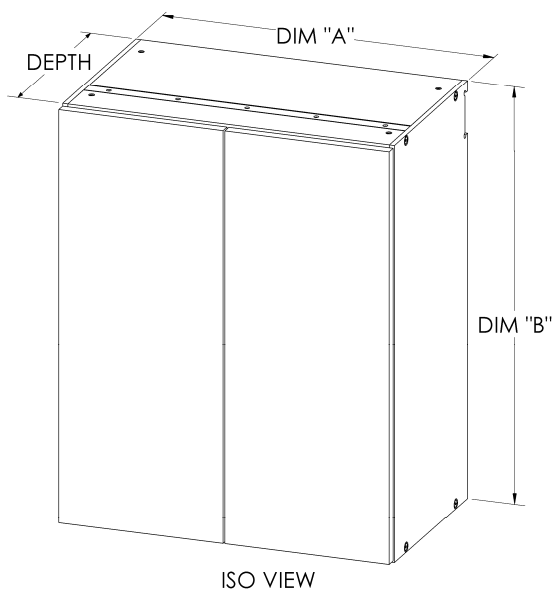
ISO VIEW

Model Shown: W1830R

W      18      30      R  
 Wall Cabinet    Width    Height    Right Hinge

### Single Door

Model #	Dim A"	Dim "B"	Depth	Model #	Dim A"	Dim "B"	Depth
W930(L/R)-12	9	30	12	W930(L/R)	9	30	14
W936(L/R)-12	9	36	12	W936(L/R)	9	36	14
W942(L/R)-12	9	42	12	W942(L/R)	9	42	14
W1230(L/R)-12	12	30	12	W1230(L/R)	12	30	14
W1236(L/R)-12	12	36	12	W1236(L/R)	12	36	14
W1242(L/R)-12	12	42	12	W1242(L/R)	12	42	14
W1530(L/R)-12	15	30	12	W1530(L/R)	15	30	14
W1536(L/R)-12	15	36	12	W1536(L/R)	15	36	14
W1542(L/R)-12	15	42	12	W1542(L/R)	15	42	14
W1830(L/R)-12	18	30	12	W1830(L/R)	18	30	14
W1836(L/R)-12	18	36	12	W1836(L/R)	18	36	14
W1842(L/R)-12	18	42	12	W1842(L/R)	18	42	14
W2130(L/R)-12	21	30	12	W2130(L/R)	21	30	14
W2136(L/R)-12	21	36	12	W2136(L/R)	21	36	14
W2142(L/R)-12	21	42	12	W2142(L/R)	21	42	14



ISO VIEW

Model Shown: W2430B

W      24      30      B  
 Wall Cabinet    Width    Height    Center Closing

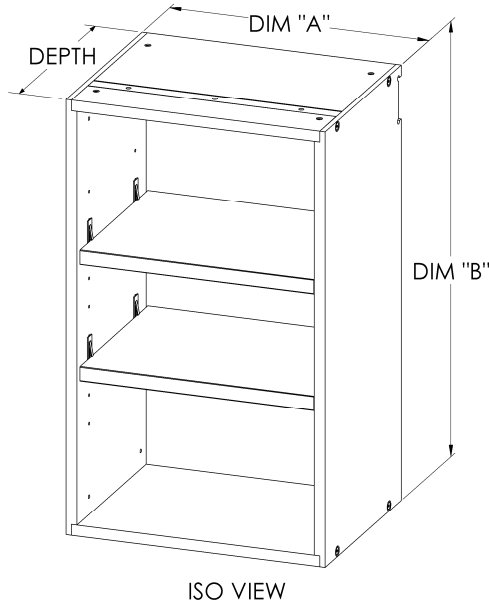
### Center Closing Doors

Model #	Dim A"	Dim B"	Depth	Model #	Dim A"	Dim B"	Depth
W2430B-12	24	30	12	W2430B	24	30	14
W2436B-12	24	36	12	W2436B	24	36	14
W2442B-12	24	42	12	W2442B	24	42	14
W2730B-12	27	30	12	W2730B	27	30	14
W2736B-12	27	36	12	W2736B	27	36	14
W2742B-12	27	42	12	W2742B	27	42	14
W3030B-12	30	30	12	W3030B	30	30	14
W3036B-12	30	36	12	W3036B	30	36	14
W3042B-12	30	42	12	W3042B	30	42	14

- On all single door cabinets specify left or right hinge.
- 3/4" thick finished end panels are available.
- Comes with (2) Shelves
- Depth is to cabinet face without the door. The door plus the spacer will add about 7/8" to the overall depth.

## Open Shelf Wall Cabinets (No Doors)

- 3/4" thick finished end panels are available.
- Comes with (2) Shelves
- Depth is to cabinet face.



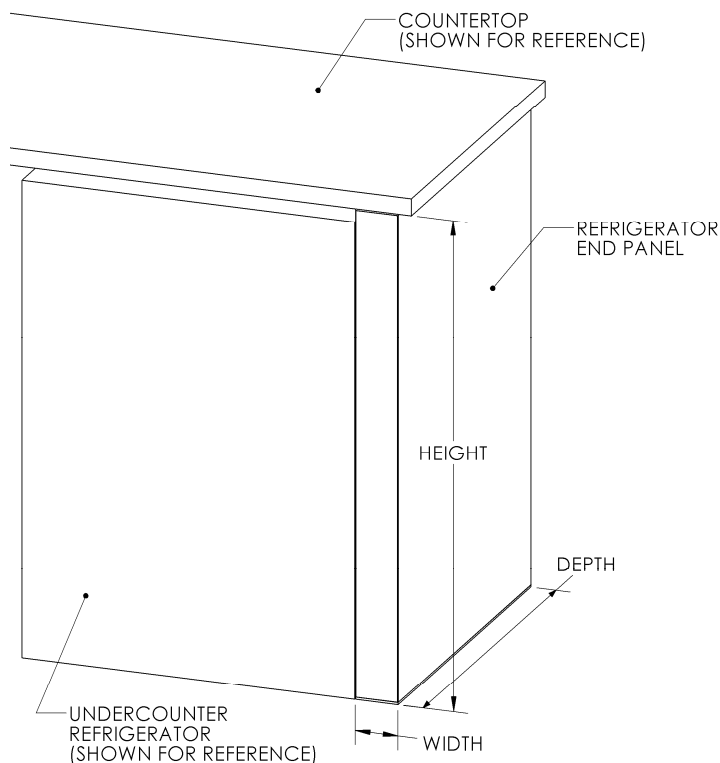
### Single Door

Model #	Dim A"	Dim "B"	Depth	Model #	Dim A"	Dim "B"	Depth
WO930-12	9	30	12	WO930	9	30	14
WO936-12	9	36	12	WO936	9	36	14
WO1230-12	12	30	12	WO1230	12	30	14
WO1236-12	12	36	12	WO1236	12	36	14
WO1530-12	15	30	12	WO1530	15	30	14
WO1536-12	15	36	12	WO1536	15	36	14
WO1830-12	18	30	12	WO1830	18	30	14
WO1836-12	18	36	12	WO1836	18	36	14
WO2130-12	21	30	12	WO2130	21	30	14
WO2136-12	21	36	12	WO2136	21	36	14
WO2430-12	24	30	12	WO2430	24	30	14
WO2436-12	24	36	12	WO2436	24	36	14
WO2730-12	27	30	12	WO2730	27	30	14
WO2736-12	27	36	12	WO2736	27	36	14
WO3030-12	30	30	12	WO3030	30	30	14
WO3036-12	30	36	12	WO3036	30	36	14

Model Shown: WO1830

WO                      18                      30  
 Open Wall              Width                      Height

## Refrigerator End Panels

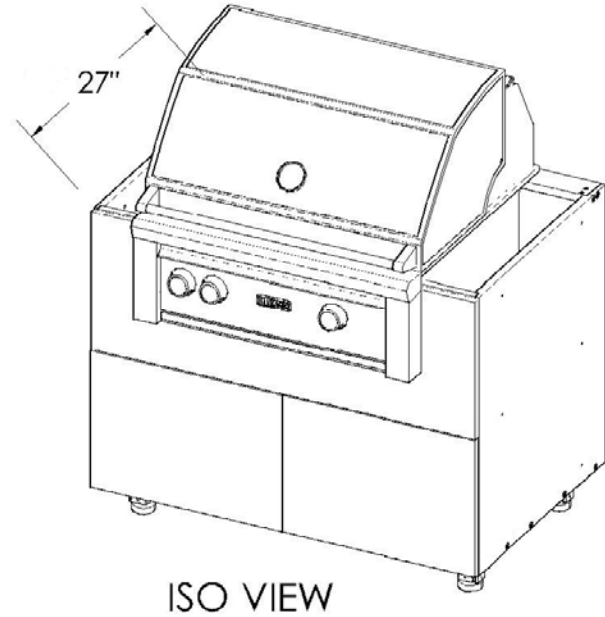
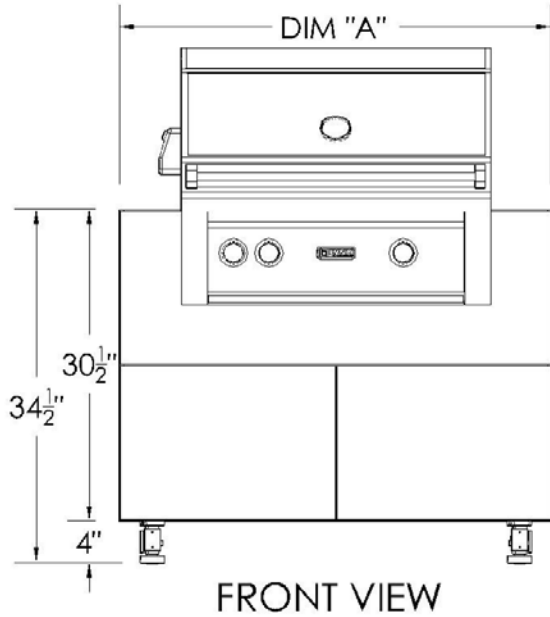


Model #	Width	Depth	Height
BREP324	3	24.875	34.5
BREP327	3	27.875	34.5

Model Shown: BREP324

BREP                      3                      24  
 End Panel                      Width                      Depth

# Grill Burner and Side Burner Base Cabinet



### Grill Burner Base Cabinet

Model #	Dim A"	Door	Model #	Door	Dim A"
GB27-27	27	2	GB48-27	3	48
GB30-27	30	2	GB51-27	3	51
GB33-27	33	2	GB54-27	3	54
GB36-27	36	2	GB57-27	3	57
GB39-27	39	2	GB60-27	3	60
GB42-27	42	2	GB63-27	3	63
GB45-27	45	2			

### Side Burner Base Cabinet

Model #	Dim A"	Door
BSB15-27L	15	1
BSB15-27R	15	1
BSB18-27L	18	1
BSB18-27R	18	1
BSB21-27L	21	1
BSB21-27R	21	1
BSB24B-27	24	2

Model Shown: GB42-27  
 GB 42 27  
 Grill Base Width Depth

### Grill and Side Burner:

The following two pieces of information will be required in order to produce your Grill or Side Burner cabinet.

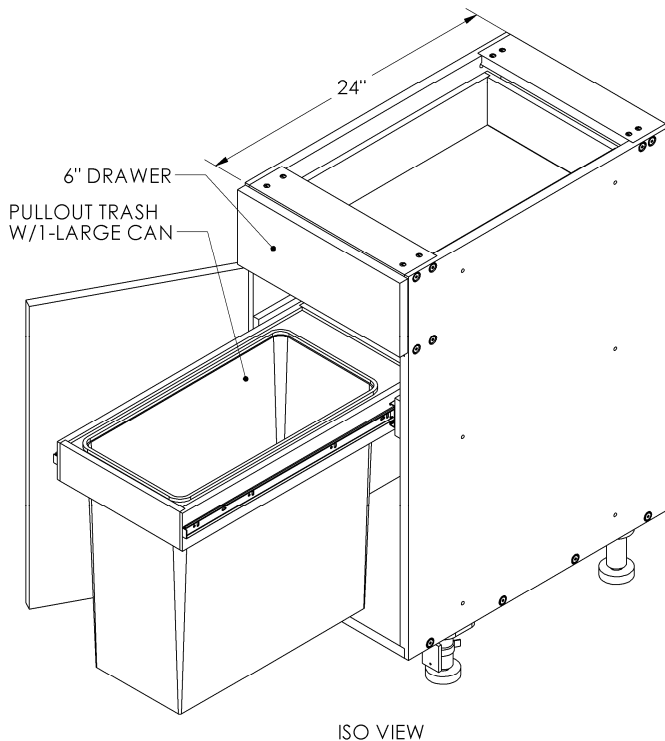
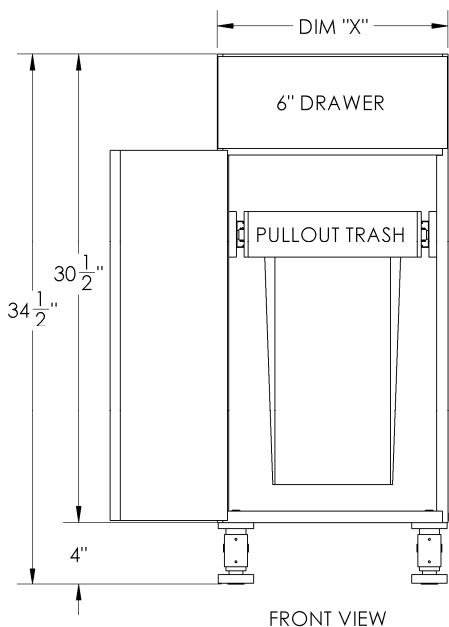
1. Provide the exact thickness of the countertop (Ex. 3cm Granite, 2" thick concrete or tile, etc.). Natural Granite may thickness can vary, so it is recommended to supply us with the actual measured thickness of the granite.
2. Provide the manufacturer and model numbers of the grill and the required insulating liner.

We will cut the front apron of the cabinet to accommodate the grill you are using. In order to select the proper cabinet size, you should add 4" to the width of the insulating liner, and than select the next closest size cabinet. For example:

A grill model calls out a 37-5/8" wide insulating jacket. 37-5/8  
 Add 4" which will allow 2" of room on either side of the liner. + 4  
 Choose a 42" wide grill cabinet, which is the next largest size greater than 41-5/8". 41-5/8"

**CAUTION:** It is a requirement that you use a grill that comes with a factory-manufactured insulating liner. Most premium grills are available with insulating liners.  
 Most side burners do not require an insulated liner. Check the manufacturers requirements for installation in combustible cabinetry.

## Pull-Out Trash Cabinet with One Large Can and Top Drawer



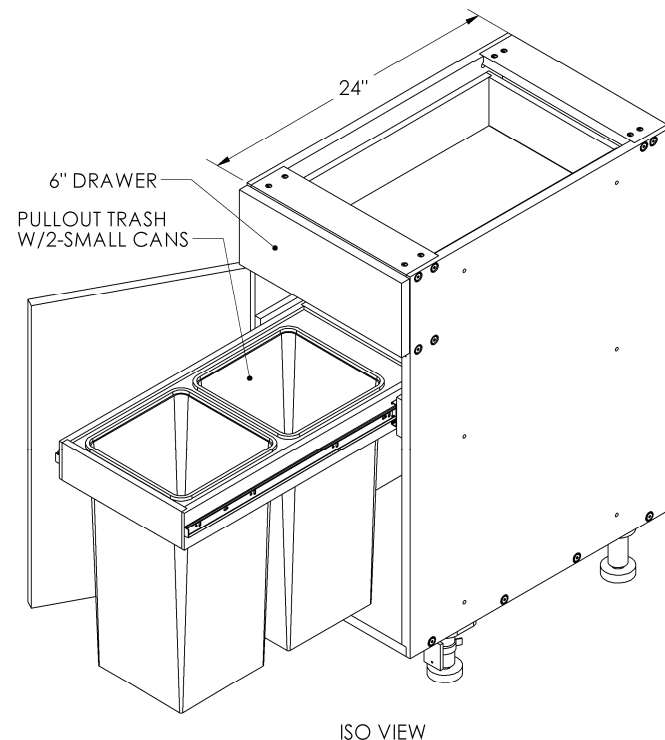
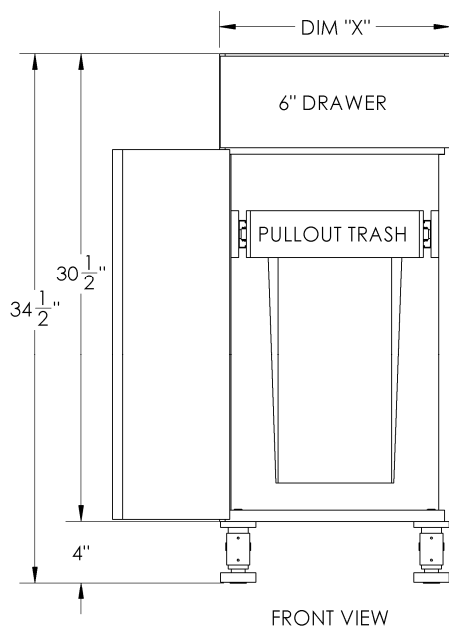
Model #	Dim X"
BWC15-1L	15
BWC15-1R	15

- 3/4" thick finished end panels are available.
- 24" Depth is to cabinet face. The drawer will add about 7/8" to the overall depth.
- Large Trash Can dimensions are 9.5" wide x 18.75" deep x 17.75" high.

Model Shown: BWC15-1L

BWC 15 1L  
 Pullout Trash Width 1 Can, Left Hinge

## Pull-Out Trash Cabinet with Two Small Cans and Top Drawer



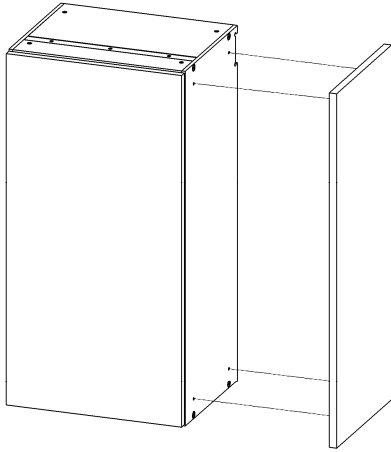
Model #	Dim X"
BWC15-2L	15
BWC15-2R	15

- 3/4" thick finished end panels are available.
- 24" Depth is to cabinet face. The drawer will add about 7/8" to the overall depth.
- Small Trash Can dimensions are 9.375" wide x 9.375" deep x 17.75" high.

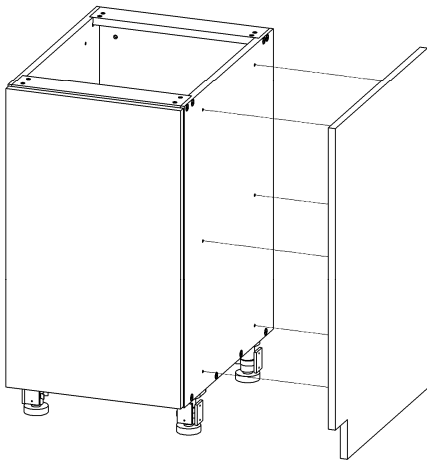
Model Shown: BWC15-2L

BWC 15 2L  
 Pullout Trash Width 2 Cans, Left Hinge

## Finished Side Panel



- Finished Side Panels are required on the ends of cabinet runs.
- Finished Side panels are 3/4" thick.
- The depth of the finished panel will overhang the face of the wall cabinet by 7/8".
- The Height of the finished panel for a wall cabinet will match the height of the side of the wall cabinet box.



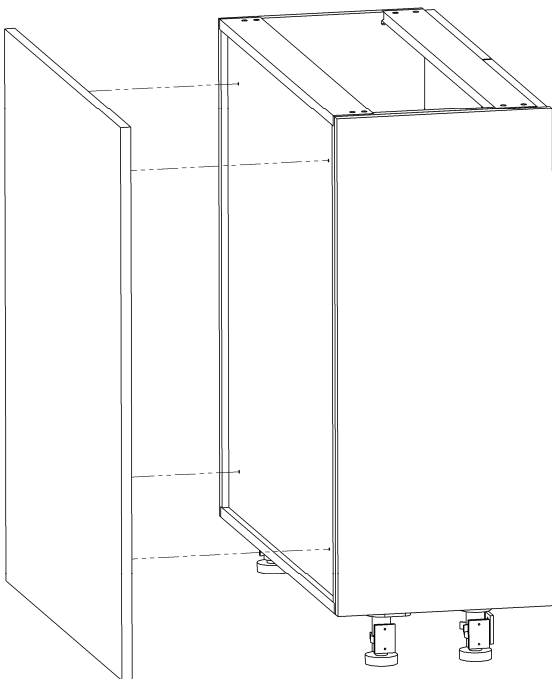
### Wall Cabinet Finished Side Panels

Model #	Left/Right	Height	Depth
WFEP30L	Left	30	14.875
WFEP30R	Right	30	14.875
WFEP36L	Left	36	14.875
WFEP36R	Right	36	14.875
WFEP42L	Left	42	14.875
WFEP42R	Right	42	14.875
WFEP30L-12	Left	30	12.875
WFEP30R-12	Right	30	12.875
WFEP36L-12	Left	36	12.875
WFEP36R-12	Right	36	12.875
WFEP42L-12	Left	42	12.875
WFEP42R-12	Right	42	12.875

### Base Cabinet Finished Side Panels

Model #	Left/Right	Height	Depth
BFEP34.5L	Left	34.5	24.875
BFEP34.5R	Right	34.5	24.875
BFEP34.5-DL	Left	34.5	27.875
BFEP34.5-DR	Right	34.5	27.875

## Finished Back Panel



Model #	Width	Height	Model #	Width	Height
FBP36	36	34.5	TFBP36	36	40.5
FBP42	42	34.5	TFBP42	42	40.5
FBP48	48	34.5	TFBP48	48	40.5
FBP54	54	34.5	TFBP54	54	40.5
FBP60	60	34.5	TFBP60	60	40.5
FBP66	66	34.5	TFBP66	66	40.5
FBP72	72	34.5	TFBP72	72	40.5
FBP78	78	34.5	TFBP78	78	40.5
FBP84	84	34.5	TFBP84	84	40.5
FBP90	90	34.5	TFBP90	90	40.5
FBP95	95	34.5	TFBP95	95	40.5

- Finished Back Panels are required on base cabinets that are to be used in island configurations where the backside is visible.
- Finished Back panels are 3/4" thick and are meant to be cut to fit on-site.

## Filler-Base Cabinet

Model #	Description
BF1.5	Filler for Base Cabinet, 1.5" wide x 30.5" tall
BF3	Filler for Base Cabinet, 3" wide x 30.5" tall

## Filler-Wall Cabinets

Model #	Description
FW130	Filler for Wall Cabinet, 1.5" wide x 30" tall
FW330	Filler for Wall Cabinet, 3" wide x 30" tall
FW136	Filler for Wall Cabinet, 1.5" wide x 36" tall
FW336	Filler for Wall Cabinet, 3" wide x 36" tall
FW142	Filler for Wall Cabinet, 1.5" wide x 42" tall
FW342	Filler for Wall Cabinet, 3" wide x 42" tall

## Square Molding-for top of wall cabinets

Model #	Description
MLD-SQ-1	3" Wide x 95" Long Toe Kick (Cut to fit)

## Toe Kick

Model #	Description
TK495	4" High x 95" Long Toe Kick (Cut to fit)
TK695	6" High x 95" Long Toe Kick (Cut to fit)

## Indoor & Outdoor Cabinetry PRODUCT SPECIFICATIONS

### Typical Properties

PROPERTY	ASTM SPEC	UNIT	HDPE
Specific Gravity	D792	****	0.96
Water Absorption	D570	%	<0.01
Tensile Strength (yield)	D1708, D638	psi	3600
Elongation (break)	D1708, D638	%	700
Flexural Modulus	D790 @ 23 C	psi	175000
Notched Izod Impact	D256 @ 23 C	ft-lb/in.	3
Shore D Hardness	D2240	***	65
Continuous Service Temperature	Maximum	°C	76
		°F	170
Melting Point	D3418	°C	131
	D3418	°F	267
Coefficient of Expansion	E831 TMA	in/in/°F (10 <sup>-5</sup> )	6.7

Slow Burning: Passes UL 94, Classification HB

Temperature Serviceability:

Upper Limit: 163 F deflection temperature at 66 psi, ASTM D648.

Lower Limit: -100 F brittleness temperature, ASTM D746.

Food Contact: Complies with FDA and USDA requirements for food contact.

UV Resistance: Stabilized against excessive polymer degradation and color change

\* Continuous Service Temperature based upon "non-Chemical Dry usage".

\* Table data reflects ASTM based average typical vendor data.

\* Data meant as general guidelines only.

\* Specific applications require additional testing by the buyer.

\* All properties based on standard unbacked product tests only.

## Limited Lifetime Warranty

Although this has rarely happened, DeSavino & Son's will repair or replace cabinetry which proves to be defective in material or workmanship under normal residential use for the lifetime of the original purchaser. This is our guarantee to you, our valued customer.

Please note, this warranty is not transferable and is expressly limited to the cabinet carcass, base, doors, drawers, shelves, and polymer drawer (Not Drawer Slides).

Separate components not manufactured by DeSavino & Son's such as grills, refrigerators, countertops, casters, stainless steel drawer slides, and accessories may be covered by a separate manufacturer's warranty, but are not covered by this Limited Lifetime Warranty.

Items not specifically listed in this warranty are not covered by this warranty. No other warranty, express or implied, is applicable to this product. DeSavino & Son's shall not be liable for the loss of use of the product, inconvenience, loss or any other damages, direct or consequential, arising out of the use of or inability to use this product.

Our warranty does not apply to cabinets that have been improperly installed, misused or modified. This warranty does not apply to the natural aging of the finish. This warranty applies only to manufacturer defects and does not apply to natural aging or wear and tear.

The above warranty is limited to the repair or replacement of the defective part at the discretion of DeSavino & Son's and does not include service trip(s) expenses necessary for removal labor, shipping, or inspection, replacement or delivery of defective parts. Parts replaced under this warranty are not guaranteed for color match. Defective cabinet parts are subject to a one time replacement. Components and products not manufactured by DeSavino & Son's will carry the warranty of the original manufacturer and are subject to availability from our supplier.

To obtain warranty coverage: Retain your bill of sale and copy of this warranty statement to prove original purchase and warranty terms in effect at the date of your sale. Warranty requests must be accompanied by photographs of the cabinetry as installed to document the defect. Warranty requests will not be processed without proof of purchase and proper documentation. A copy of the sales receipt must be submitted at the time warranty service is requested.

Movable carts including the Kamado Grill Caddy line are limited to a three (3) year warranty period.



## Return Policy

Keeping in mind that all of our project and cabinets are custom made and tailored toward our individual customers, there can be no refunds or exchanges. A rare flaw in our construction or craftsmanship may be returned to us within 14 days, but you must call or email us immediately for authorization upon receipt, so we ask that you take a look at our delivered product making sure it is to your liking and exactly what you have order as it is our wish to make all of our customers happy and 100% satisfied.. Defective Items can be returned for EXCHANGE ONLY of same product.

We ask that our customers inspect the package and the custom made products carefully upon receiving them, sometimes, in the delivery process which is out of our control, damages do occur, accept the shipment and we also ask that you notate any damages and irregularities, such as crushed, torn, punctured, or broken parts on both the packaging and the product, on the freight bill or receipt at the driver's presence. We also ask our customers retain all boxes, packing materials, and damaged goods for the deliverer's damage inspector to inspect. A signed receipt without any notation indemnified the carrier as well as us from any further damage claims. Do not refuse shipment or return it without approval, because the buyer's right to make a damage claim may be denied. If damages are discovered after a cleared delivery they then become the responsibility of the customer.

All damaged items must be notified to deliverer and our company within 24 hours. In cases of damage with proper notation on receipt, the carrier will determine whether to pay for repair cost or replacement value of the damaged goods after damage inspection. Replacement value is the amount the buyer paid to us and is not negotiable. All disputes about the settlement amount should be addressed with the carrier. We under no circumstances shall be liable for the damaged product or for subsequent settlement of the claim with the carrier.

Orders will be shipped out via Ground Shipment in single or multiple boxes depending on the product. Once the shipment is delivered, it is the responsibility of the customer to protect the order from weather and other things that may damage the contents (heat, cold, water, blunt force, etc). Please inspect the shipment for damage prior to accepting delivery of the shipment. Claims for damage must be submitted against the carrier.

Empty pallets and packaging materials such as plywood, cardboard, and foam are to be discarded by the customer at the customer's expense. In some cases additional charges may apply due to an inaccessible delivery address, island/rural deliveries (where there is no road to the delivery address), rural, multi-level apartment/condo buildings, deliveries to the city of New York, and various other obstacles. The customer will be responsible for coordinating and paying for additional services required delivering the order.

## **Changes/Corrections/Cancellations**

Please make all corrections at the time that you receive confirmation verification. If you have a correction or change in your order, please fax them to us immediately.

Cancellation of an order after confirmation/verification will result in a charge of the amount of materials and labor that has already been accrued in our custom manufacturing process plus an additional 20% charge.

### **Shipping Information:**

Please be aware, our custom made products are built tough and are very heavy, we ask that you arrange to have someone that can help you handle your outdoor cabinets when they are delivered.

Your product order will ship via Ground Shipment to your business or residence address. We shall provide all of the relevant tracking information prior to shipment.

All cabinetry will be sent to the Dealers Location verified on the Dealer Form. All cabinetry is delivered either Assembled or Flat Packed via ground delivery. Dealer must have a representative available to receive cabinetry, verified quantities, and document any damages on bill of lading. An additional shipping fee will be applied to orders under \$1,000. Dealer will be notified prior to shipping the balance due and the estimated delivery date.

There is a \$150.00 fee for lift gate delivery and a \$100.00 fee for residential delivery. Consignee notification is an additional \$50.00.

## **Other Questions**

### **How long will it take to install your cabinetry?**

Depending on the amount of cabinets involved in the installation, it will take 1-2 days. Kamado Grill Caddy's will take about 2-3 hours.

### **Can the cabinets be painted?**

No. The cabinets are colored throughout the material.

### **How are the cabinets constructed?**

Cabinets are designed to be assembled with our supplied hardware. The panels are already cut and drilled to accept the hardware to guarantee correct assembly.

### **How will I clean the cabinets?**

Just wash with a soap and water and hose or pressure washer when it gets dirty.

### **Can the cabinets be in direct sunlight?**

Yes. They may be set directly in the sunlight.

### **Will the cabinet colors ever fade?**

No. The UV inhibitors will prevent cabinetry from fading.

**Lead Time:**

Normal lead time is approximately 4 weeks from the time the signed confirmation order and payment is received.

**Orders:**

All orders must be supplied with a quote and customer approved signed drawings. *Orders will not be processed until customer approved signed approved drawings are received.*

**Order Confirmation:**

All order confirmations **must** be signed by an authorized representative of the dealer. It is the responsibility of the dealer to correctly fill out the order form including verifying color, door/drawer style, sizes and quantities or product.

**Payment Methods:**

Payment in full must be received before all orders are delivered. A 50% deposit is required when confirmation is made, The balance must be received before shipment. Credit card, company checks, money orders or certified funds are acceptable methods of payment. All sales tax will be added to confirmation.

**Grill Bases:**

The manufacturer's approved heat insulating jacket must be used with any grills used in Outdoor Cabinetry grill bases.

---

## DEALER KIT

**Dealer Kit Option #1**

Includes the following:

- Display center with a wall cabinet and standard base cabinet.
- Sample of all Door Style.
- Color sample chain, brochures and product catalog with forms.

Contact our office for the cost of the kit.

**Dealer Kit Option #2**

Includes the following:

- A mini base cabinet, color sample chains, brochures and product catalog with forms.

**Dealer Kit Option #3**

Includes the following:

- Door Samples, color sample chains, brochures and product catalog with forms.

Contact our office for the cost of the kit.



1003 Underwood Road | Olyphant, PA 18447

P: 888-889-2314 | F: 570-383-6825

[www.openaircabinetry.com](http://www.openaircabinetry.com)