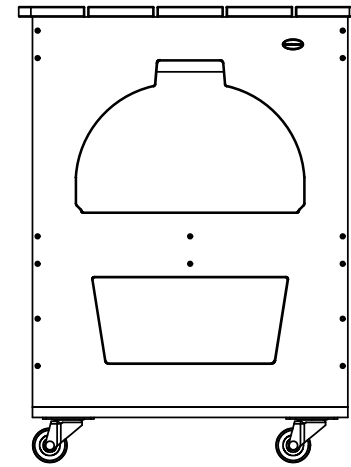
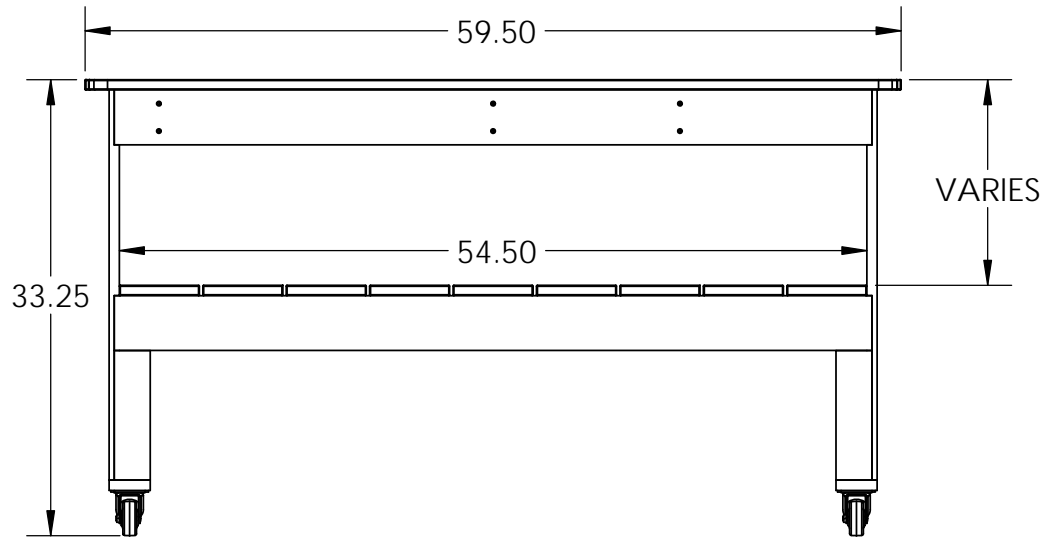
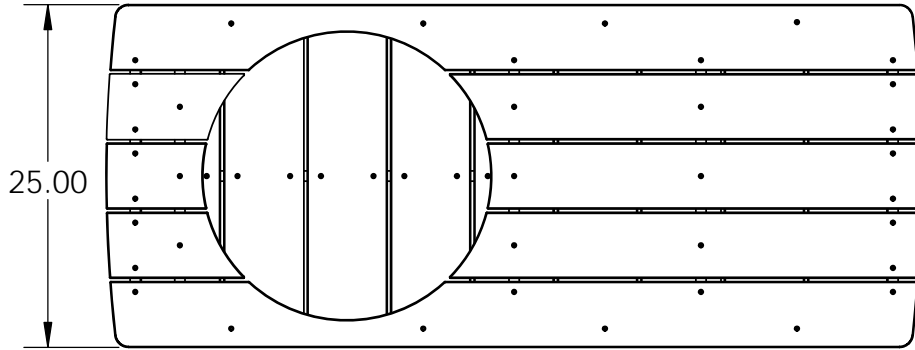
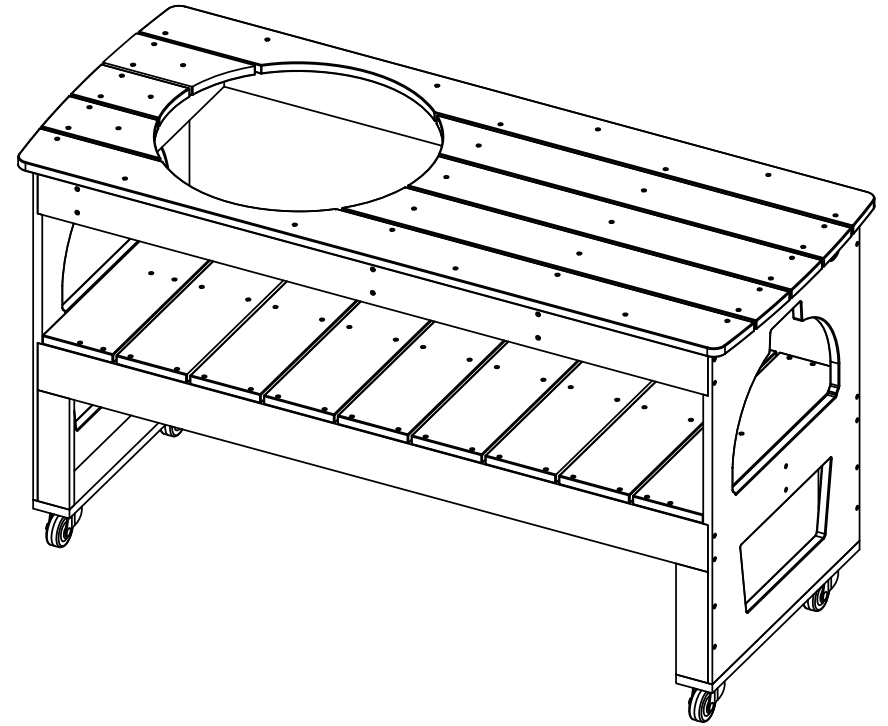



CAUTION:

DO NOT PLACE A KAMADO GRILL DIRECTLY ON THE HDPE SURFACE OR ON OR NEAR ANY COMBUSTIBLE SURFACE. FOR MAXIMUM HEAT PROTECTION, IT IS BEST THAT A CONCRETE PAVER AND A METAL TABLE NEST BE USED IN COMBINATION TO SUPPORT THE KAMADO GRILL AND ALSO TO ALLOW AN AIR GAP BELOW THE GRILL.



 <p>DeSavino & Sons 1003 Underwood Rd. Olyphant, PA 18447 Phone: (888) 889-2314 Phone: (570) 383-3988 Fax: (570) 383-4980 www.desavino.com</p>	<p>Desavino & Son's</p>	<p>DRAWN</p>	<p>NAME LI</p>	<p>DATE 4/7/14</p>	<p>TITLE: KAMADO GRILL BASIC TABLE - LONG</p>
	<p>SCALE: 1:14</p>	<p>REV N/A</p>	<p>SIZE A</p>	<p>SHEET 1</p>	